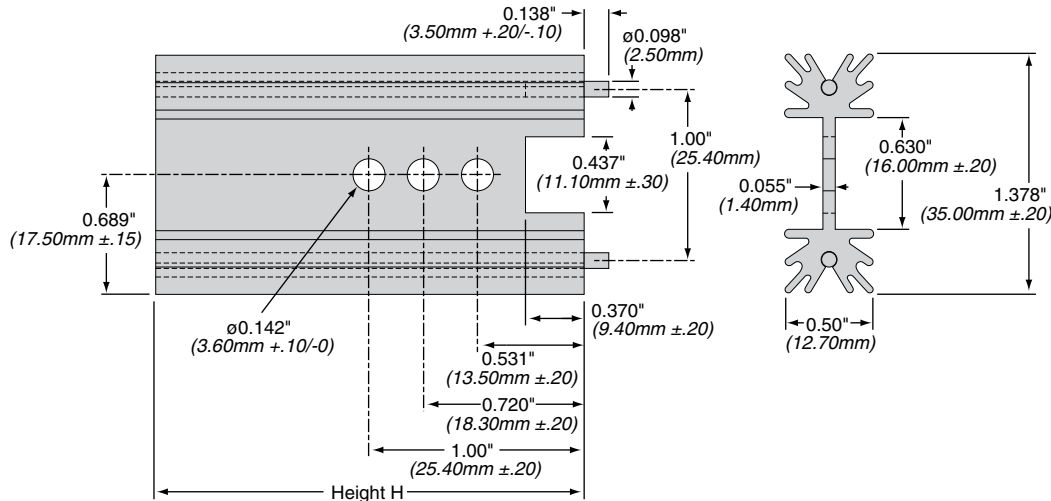


E Series Heatsinks

For TO-220 devices



FEATURES

- Vertical through-hole PCB mounting
- 0.142 in. diameter mounting holes (3)

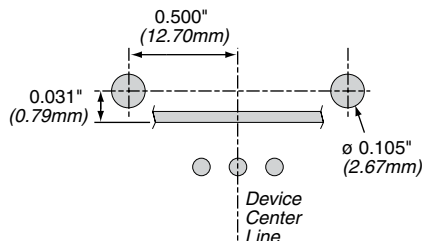
SPECIFICATIONS

- Heat sink:** Aluminum 6063-T5 or equivalent with either black anodized or degreased finish
- Solder feet:** Tin plated brass
- Interface thermal resistance:** for improvement, use thermal joint compound or 0.005 Grafoil (TGon 800 by Laird)
- Interface electrical isolation:** Sil-Pad 900S by Bergquist or equivalent

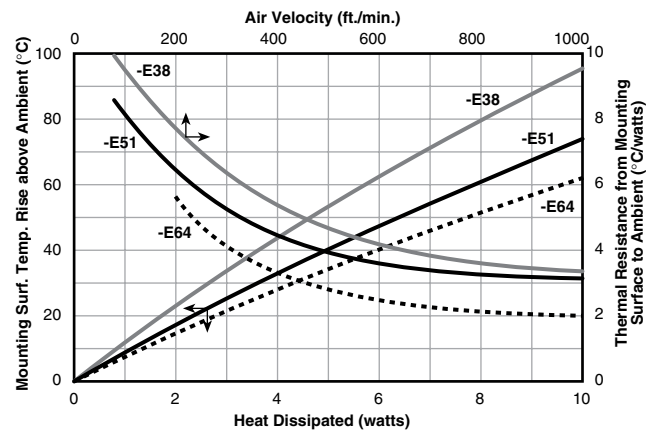
Heatsink Part Number	Height (in. ±.010 / mm ±.25)	For Package Type	Ohmite Resistor Series	Surface Area (in ²)	Weight	Thermal Resistance* (°C/W)
EV-T220-38E EA-T220-38E	1.5 / 38.10	TO-220	TBH25, TCH35	11.5	0.63 oz/18g	11.4 9.5
EV-T220-51E EA-T220-51E	2.0 / 50.80	TO-220	TBH25, TCH35	15.2	0.85 oz/24g	9.0 7.5
EV-T220-64E EA-T220-64E	2.5 / 63.50	TO-220	TBH25, TCH35	18.8	1.06 oz/30g	7.4 6.2

*Natural convection at 10W dissipation

LAND PATTERN



HEAT DISSIPATION



ORDERING INFORMATION

Series: **E** V - T 2 2 0 - 5 1 E
 Package type to be heatsinked: **T 2 2 0**
 RoHS Compliant: **- 5 1 E**
 Finish: A = black anodized, V = degreased
 Height (mm): **51**

STANDARD PART NUMBERS FOR E SERIES

Part Number	Description	Packaging
EV-T220-38E	Heat sink for TO-220, degreased	Bulk
EA-T220-38E	Heat sink for TO-220, black anodized	Bulk
EV-T220-51E	Heat sink for TO-220, degreased	Bulk
EA-T220-51E	Heat sink for TO-220, black anodized	Bulk
EV-T220-64E	Heat sink for TO-220, degreased	Bulk
EA-T220-64E	Heat sink for TO-220, black anodized	Bulk